



4047

PRO FREE STANDING WATER TAP

The frost-free PRO water dispenser is produced from solid materials, so you get a solution that is suitable for public spaces.

The push button ensures that the water dispenser switches off automatically after use, so that you are protected against unnecessary water consumption. Vandposten is hand-assembled in Denmark.

This variant has a tap height of 645 mm.

PRO FREE STANDING WATER POST

Frostline is manufactured in Denmark and today has more than 25 years of experience. We offer a wide range of frost-free outdoor products in beautiful design, high quality and with great functionality. The water dispenser works by a self-draining mechanical valve emptying the water dispenser of water after use, so you can use it all year round. Our products do not require the use of electricity to ensure frost-freeness, and are made of stainless steel, so environmentally friendly in every way.

The water dispenser is one-handle, which provides simple operation and good comfort. The product is delivered complete with well.

We recommend

It is recommended to use a supply water line of PEM pipe of 25mm or larger.

Specifications

Installation target

Stand height	796 mm
Tap height	645 mm
Jump riser to spout	87 mm
Well	Ø110 mm x 900 mm
Cover	Ø117 mm
Valve depth in well	600 mm (minimum)
Connection	½"
Hose connection	½"

Product dimensions

Total height	1702 mm
Total width	117 mm

Packaging

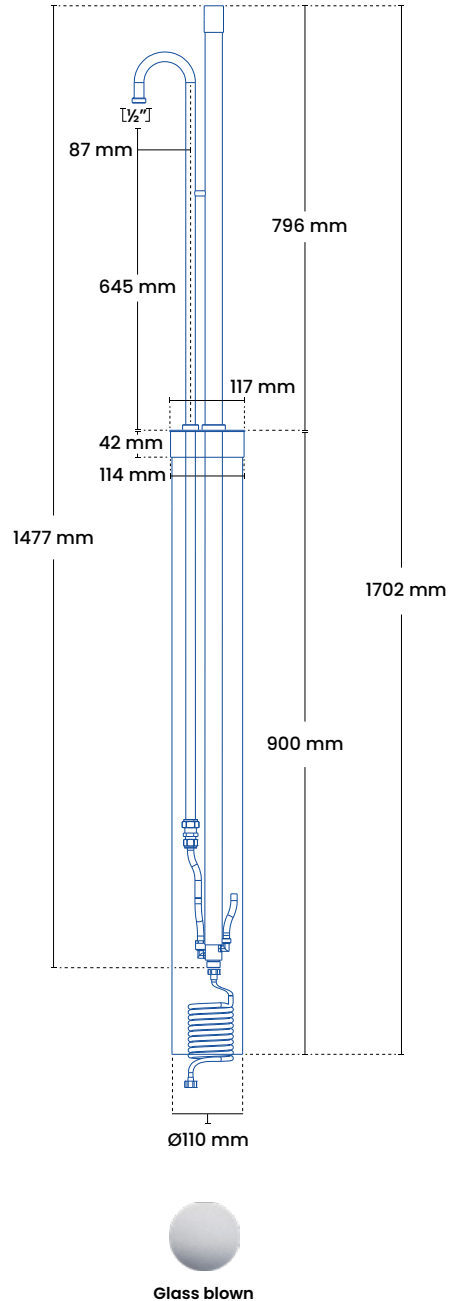
Measure H-B-D	1820 x 220 x 125 cm
Weight	6 kg

Frostline valve

Capacity	23 l/min. 4-6 bars
O-rings	NBR - 70 shore

Models

Product	plumbing no.	Description
4047	743472.754	Glass-blown stainless steel



With a well For function and guarantee, there is a requirement for a frost-free water supply all year round, that the well is buried so that the top is in the ground and that the well is dry at all times. Below 5 degrees, no hose nozzles or equipment may be fitted.



4041

PRO FREE STANDING WATER TAP

The frost-free PRO water tap is produced from solid materials, so you get a solution that is suitable for public spaces.

The push button ensures that the water dispenser switches off automatically after use, so that you are protected against unnecessary water consumption. The water tap is hand-assembled in Denmark.

This variant has a tap height of 445 mm.

PRO FREE STANDING WATER TAP

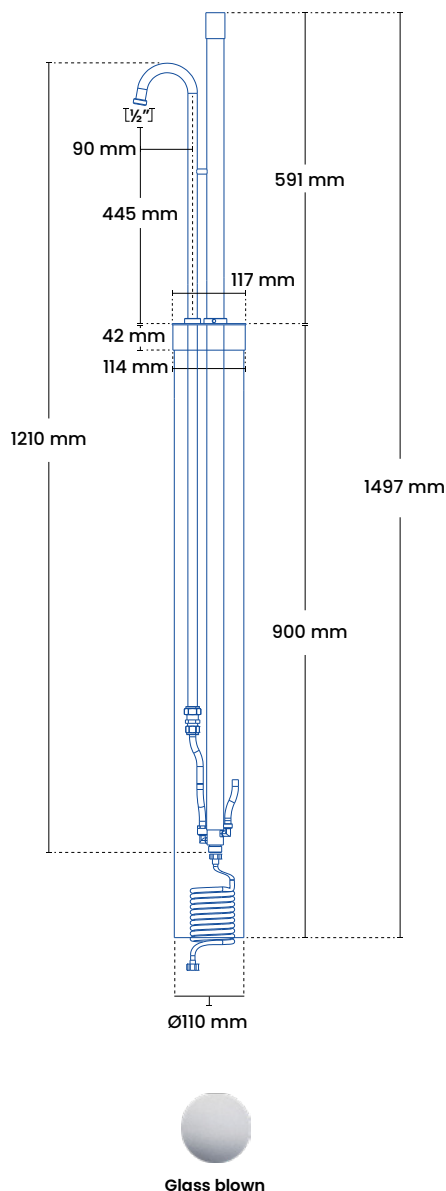
Frostline is manufactured in Denmark and today has more than 25 years of experience. We offer a wide range of frost-free outdoor products in beautiful design, high quality and with great functionality. The water dispenser works by a self-draining mechanical valve emptying the water dispenser of water after use, so you can use it all year round. Our products do not require the use of electricity to ensure frost-freeness, and are made of stainless steel, so environmentally friendly in every way.

The water dispenser is one-handle, which provides simple operation and good comfort. The product is delivered complete with well.

We recommend

It is recommended to use a supply water line of PEM pipe of 25mm or larger.

Specifications		
Installation target		
Stand height		591 mm
Tap height		445 mm
Jump riser to spout		90 mm
Well		Ø110 mm x 900 mm
Cover		Ø117 mm
Valve depth in well		600 mm (minimum)
Connection		½"
Hose connection		½"
Product dimensions		
Total height		1476 mm
Total width		117 mm
Packaging		
Measure H-B-D		1550 x 220 x 125 mm
Weight		5.3 kg
Frostline valve		
Capacity		23 l/min.
O-rings		Gasket set 9010
Models		
Product	plumbing no.	Description
4041	743472.704	Glass-blown stainless steel



With a well For function and guarantee, there is a requirement for a frost-free water supply all year round, that the well is buried so that the top is in the ground and that the well is dry at all times. Below 5 degrees, no hose nozzles or equipment may be fitted.