



4040

## EQI FREE STANDING WATER TAP

The free-standing water tap from the EQI series is for you who value quality and timeless design. With this solution, you get an innovative frost-free water solution that, like all our products, is hand-assembled in Denmark and produced from solid materials.

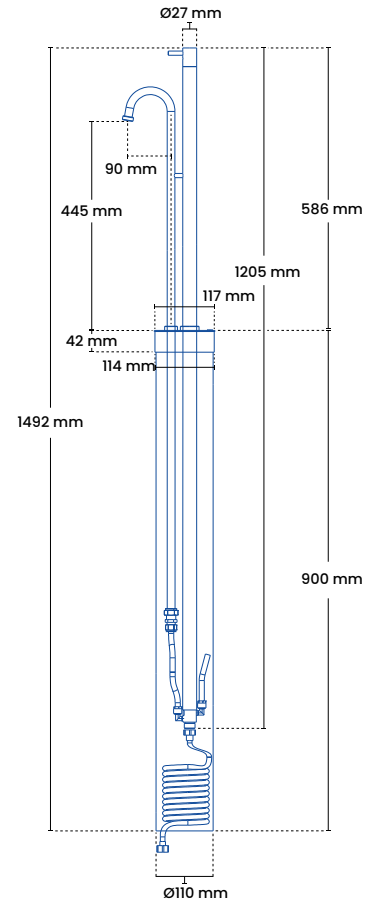
This variant has a tap height of 445 mm.

# EQI FREESTANDING WATER POINT

Frostline is manufactured in Denmark and today has more than 25 years of experience. We offer a wide range of frost-free outdoor products in beautiful design, high quality and with great functionality. The water post works by a self-draining mechanical valve emptying it of water after use, so you can use it all year round. Our products do not require the use of electricity to ensure freedom from frost, and are made of stainless steel, so environmentally friendly in every way. The water tap is a handle, which provides simple operation and good comfort. The product is delivered complete with well.

## We recommend

It is recommended to use a supply water line of PEM pipe of 25mm or larger.



Glass blown

## Specifications

### Installation target

Stand height	586 mm
Tap height	445 mm
Jump riser to spout	90 mm
Well	Ø110 mm x 900 mm
Top well	Ø114 mm
Cover	Ø117 mm
Valve depth in well	600 mm (minimum)
Connection	½"
Hose connection	½"

### Product dimensions

Total height	1492 mm
Total width	114 mm

### Packaging

Measure H-B-D	1550 x 200 x 120 mm
Weight	5.3 kg

### Frostline valve

Capacity	23 l/min.
O-rings	Gasket set 9010

### Models

Product	plumbing no.	Description
4040	743472.504	Glass-blown stainless steel

**With a well** For function and guarantee, there is a requirement for a frost-free water supply all year round, that the well is buried so that the top is in the ground and that the well is dry at all times. Below 5 degrees, no hose nozzles or equipment may be fitted.



4046

## EQI FREE STANDING WATER TAP

The free-standing water tap from the EQI series is for you who value quality and timeless design. With this solution, you get an innovative frost-free water solution that, like all our products, is hand-assembled in Denmark and produced from solid materials.

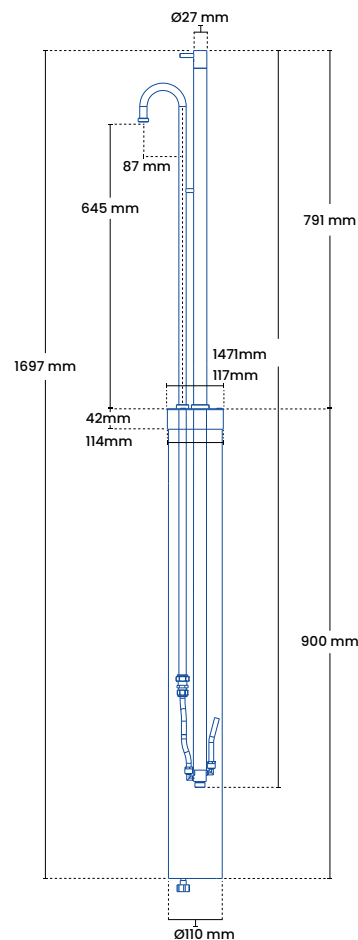
This variant has a tap height of 645 mm.

# EQI FREE STANDING WATER TAP

Frostline is manufactured in Denmark and today has more than 25 years of experience. We offer a wide range of frost-free outdoor products in beautiful design, high quality and with great functionality. The water post works by a self-draining mechanical valve emptying it of water after use, so you can use it all year round. Our products do not require the use of electricity to ensure frost-freeness, and are made of stainless steel, so environmentally friendly in every way. The water dispenser is a handle, which provides simple operation and good comfort. The product is delivered complete with well.

## We recommend

It is recommended to use a supply water line of PEM pipe of 25mm or larger.



Glass blown

## Specifications

### Installation target

Stand height	791 mm
Tap height	645 mm
Jump riser to spout	87 mm
Well	Ø110 mm x 906 mm
Top well	Ø114 mm
Cover	Ø117 mm
Valve depth in well	600 mm (minimum)
Connection	½"
Hose connection	½"

### Product dimensions

Total height	1492 mm
Total width	117 mm

### Packaging

Measure H-B-D	1820 x 220 x 125 mm
Weight	6 kg

### Frostline valve

Capacity	23 l/min.
O-rings	Gasket set 9010

### Models

Product	plumbing no.	Description
4046	743472.554	Glass-blown stainless steel

**With a well** For function and guarantee, there is a requirement for a frost-free water supply all year round, that the well is buried so that the top is in the ground and that the well is dry at all times. Below 5 degrees, no hose nozzles or equipment may be fitted.